

# Cost effective Touch -Screen Solution

Dual USB and RS-232 interface for TM 550 could be integrated with any customized POS solutions.



TM 550



Cost-effective  
POS solution



Wide Rang Tilt  
17°~90°



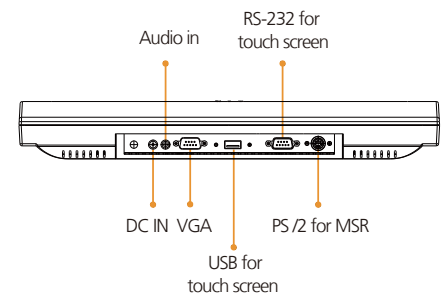
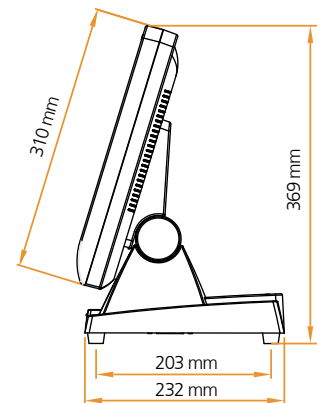
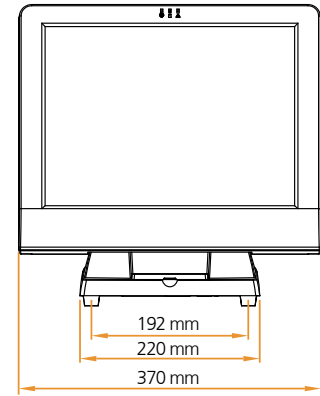
Support USB and RS-232  
interface for Touch



Integrated with  
Customer Display,  
MSR

## Specifications

<b>Model Name</b>	TM 550	
<b>Display</b>	TFT LCD Size	15"
	Brightness	250 nits
	Resolution	1024 x 768 (XGA)
	Touch Screen	5-wire Resistive Type
<b>I/O Ports</b>	Touch interface	1 x RS-232 (DB-9) 1 x USB
	Audio	Audio in Jack with 2W Speaker x2
	VGA	D-SUB 15
	PS/2	1 x Mini-DIN
<b>Others</b>	Wall Mount	Support VESA Mount
	Power Input	External adapter, 60W, 12V DC input
	Color	Black
	Compliance	FCC / CE / CB / CCC / WEEE / RoHS
	Weight	5.9 kgs
	Dimension	370W x 232D x 369H (mm)
	Operating Temperature	5 °C ~ 35 °C
	Storage Temperature	-20° C ~60° C
Humidity	20% - 85% RH, non-condensing	



## Ordering information

### Main Unit

Part No.	Description
TM50-5B-VRU	15" Touch monitor w/ VGA I/F supports USB & RS-232 I/F

### Optional Accessories

Part No.	Description
A0400850	MSR: 3 Tracks, PS/2 Type
60100020	Customer display: VFD pole with EU adapter
60100021	Customer display: VFD pole with US adapter
60100022	Customer display: VFD pole with UK adapter
60100023	Customer display: VFD pole with AU adapter

Specifications are subject to change without notice. Issue Date: 2010/01

**EBN**  
EBN Technology Corp.

### EBN Technology Corp.

10F, No. 90, Sec. 1, Sintai 5th Rd., Sijhih City,  
Taipei County 221, Taiwan  
TEL : +886-2-2696 9292  
FAX : +886-2-2696 9393  
E-mail : sales@ebn-pos.com  
www.ebn-pos.com